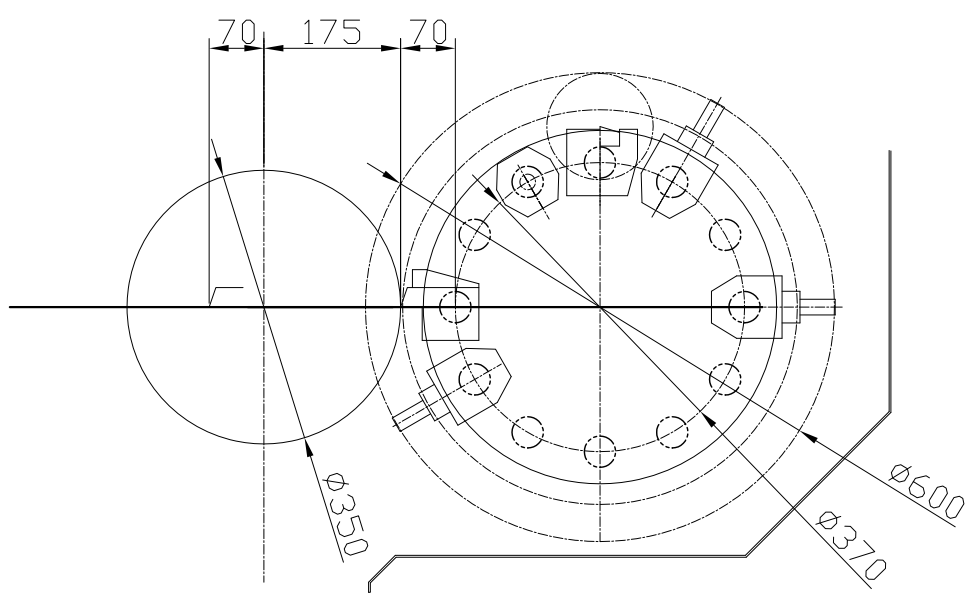
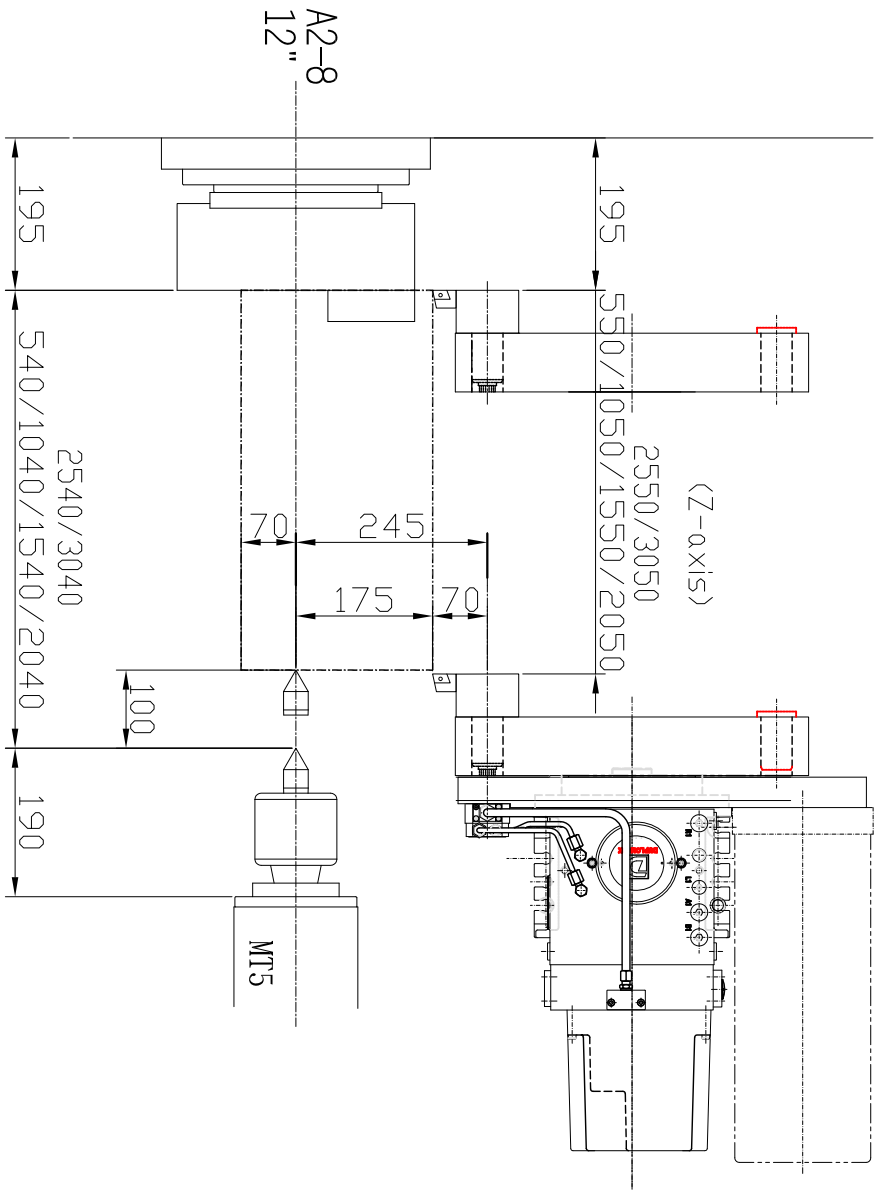


Sauter VDI40
PCD=370 軸向



ALEX-TECH MACHINERY INDUSTRIAL CO; LTD



刀具干涉圖
(VT-27G/28)

VT-27G/28